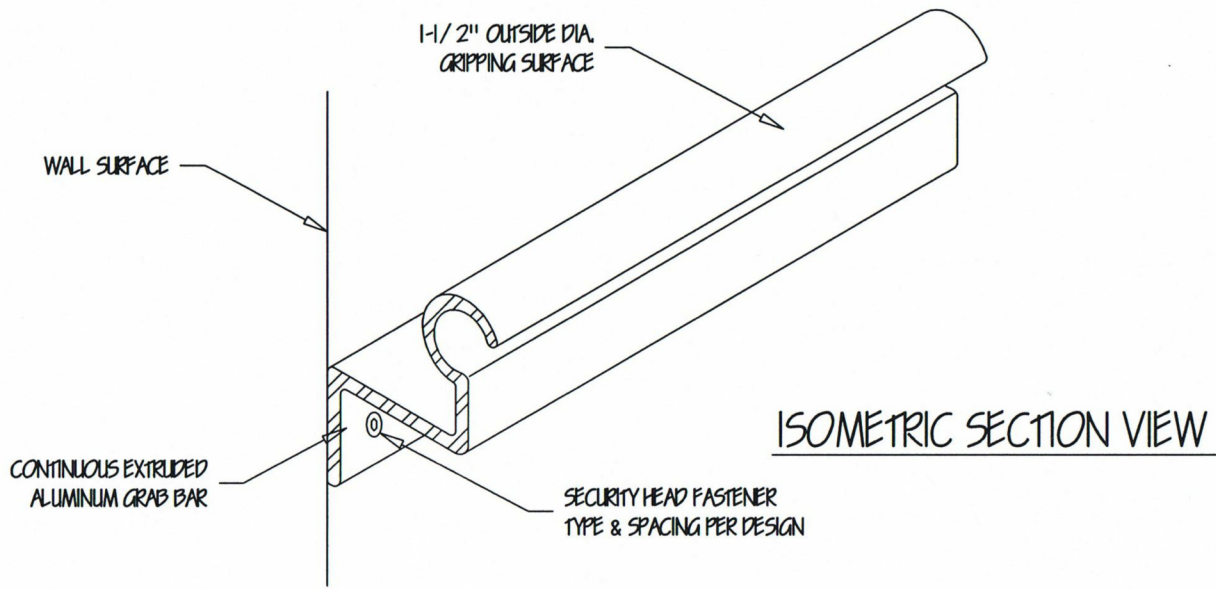
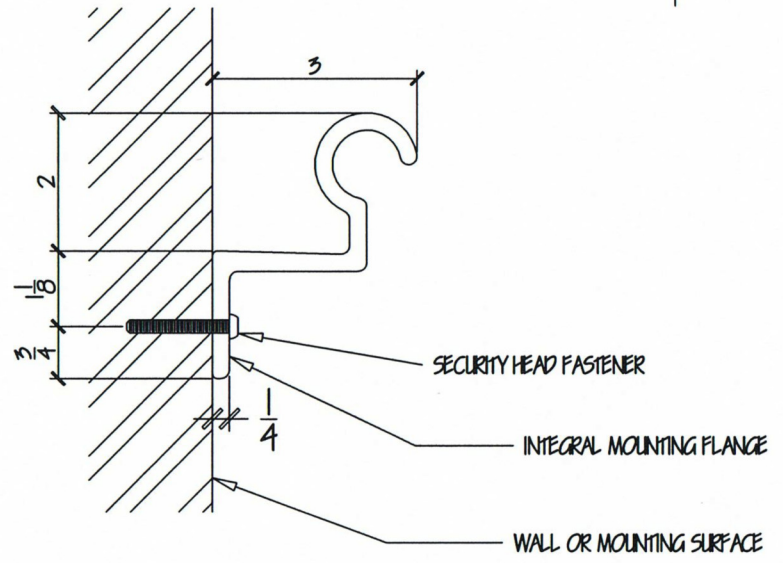


REVISIONS			
SYM.	DESCRIPTION	DATE	APPROVAL



ISOMETRIC SECTION VIEW



SECTION VIEW

NOTE: PROJECT DESIGNER MUST SPECIFY MOUNTING METHOD

SAFEBAR® GRAB BARS

MATERIAL		FINISH		HEAT TREAT	
DIMENSIONAL TOLERANCES UNLESS OTHERWISE NOTED		SAFEBAR® GRAB BAR		WEIGHT N/A	
±.030	±.015	±.010	Tri-Star Detention, Inc. 16433 S. Windy City Rd. Mulino, OR 97042		
.X	.XX	.XXX	SCALE NONE	NO. RECD.	
DRAWN TLP		DATE 4/13/10		SIZE	DRAWING NUMBER
CHECKED		DATE		C	-
APPROVED		DATE			