

* Mounting Hardware Available Upon Request

○ Typical Security Detector Cover Mounting Detail
Scale: 1:2

TRI-STAR DETENTION, INC.
(503) 632-1336

SECURITY DETECTOR (Mounting Detail)

Scale: None

Date: 3-14-2007

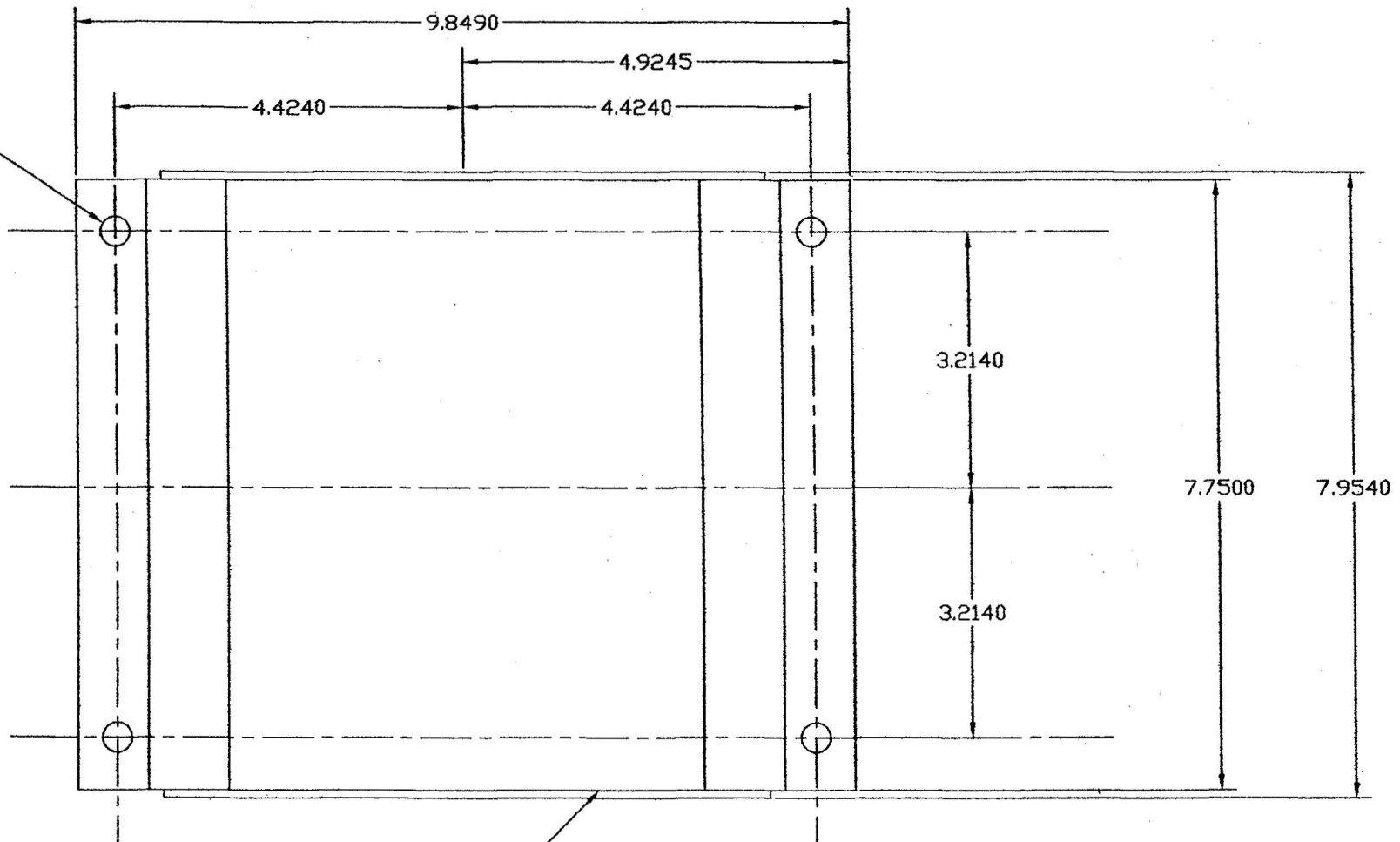
Drawn By: Mark

Drawn By: MG

Patent Pending Design

PART NO. SSM-01 SHT. 1 OF 3

Ø0.3750
TYP.



TYP

1 (1) Top View
Scale: 1:2



TRI-STAR DETENTION, INC.
(503) 632-1336

SECURITY DETECTOR (TOP VIEW)

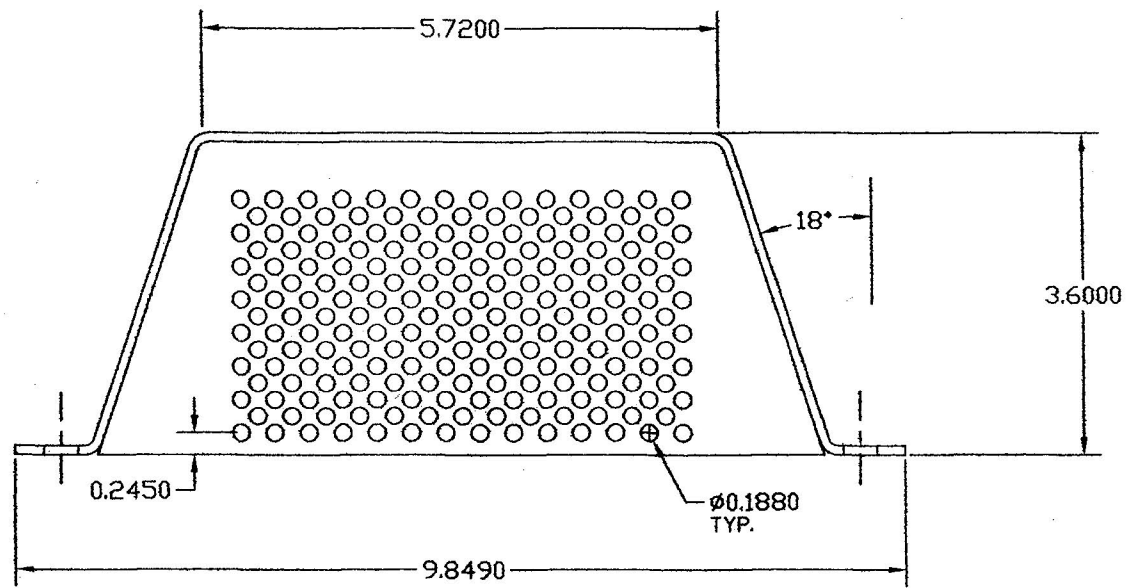
Scale: None

Date: 3-14-2007

Drawn By: Mark

Drawn By: M.G

Patent Pending Design PART NO. SSM-01 SHT. 2 OF 3



2 (2) Front View
Scale: 1:2

TRI-STAR DETENTION, INC. (503) 632-1336	
SECURITY DETECTOR (FRONT VIEW)	
Scale: None	Date: 3-14-2007
Drawn By: Mark	Drawn By: MG
PART NO. SSM-01 SHT. 3 OF 3	

Patent Pending Design